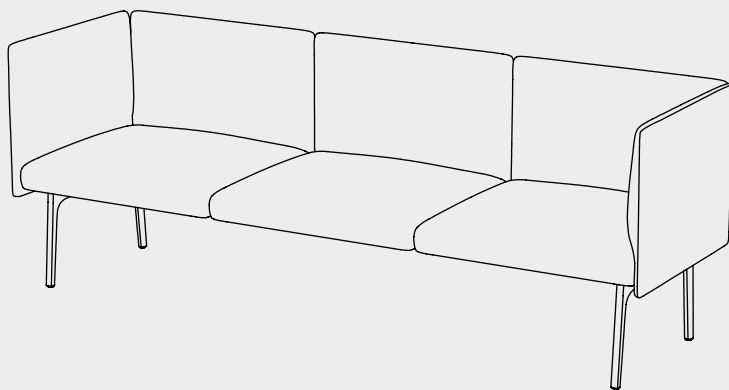
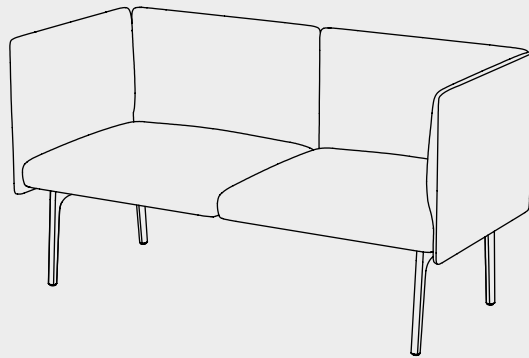
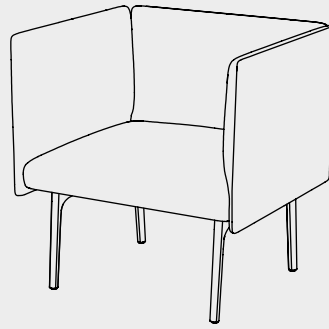


Mino Sofa Series Installation Guide

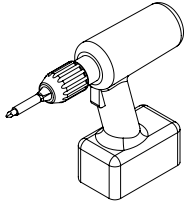


DeVorm

Tools

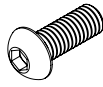


Allen key



Drill

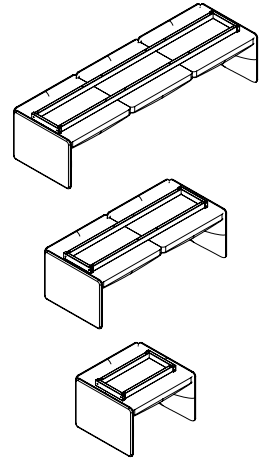
Parts



Button head screw
M6 x 12 mm
8x

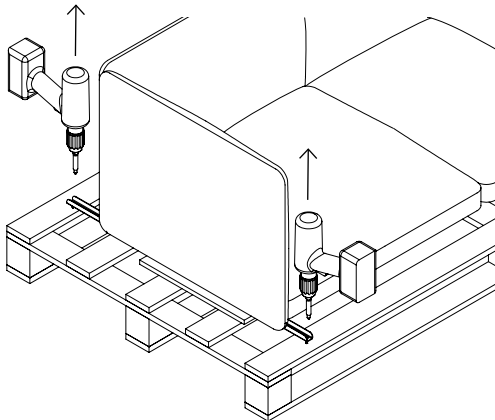


Mino Sofa Leg
4x



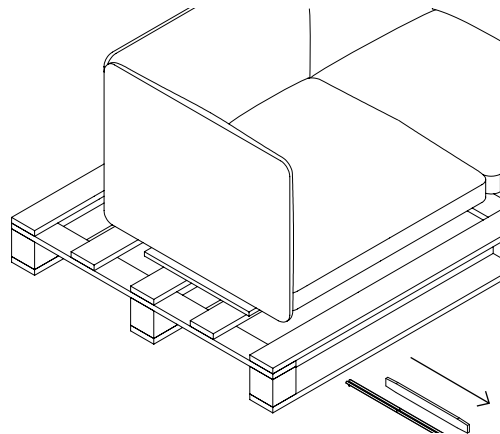
Mino Sofa
One, Two or Three Seats

- 1 Remove all packaging material and use a power drill with magnetic bit holder to remove (4x) screws in two brackets

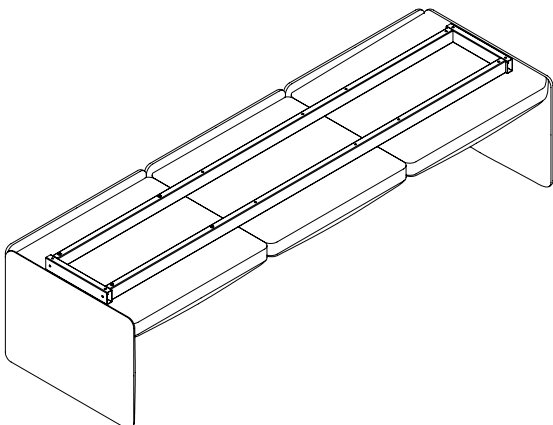


- ! Be aware the sofa is fixed onto the pallet with (2x) metal brackets

- 2 Remove the two brackets and felt strips

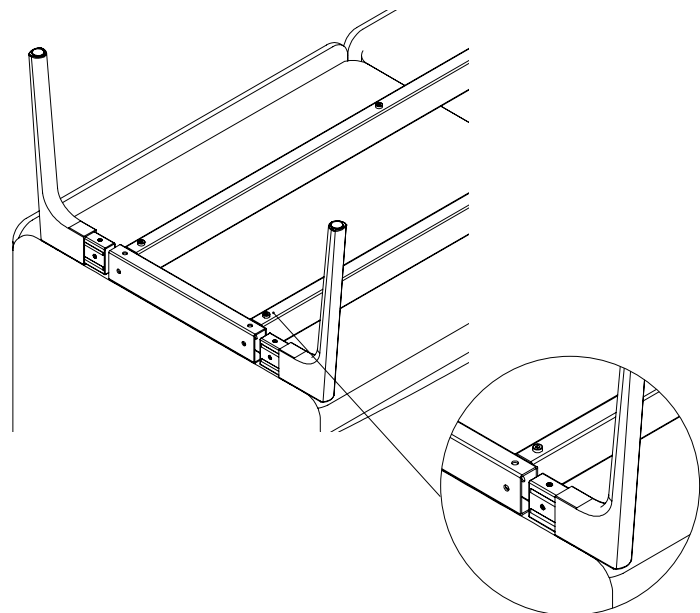


- 3 Place the Mino Sofa upside down on a flat surface

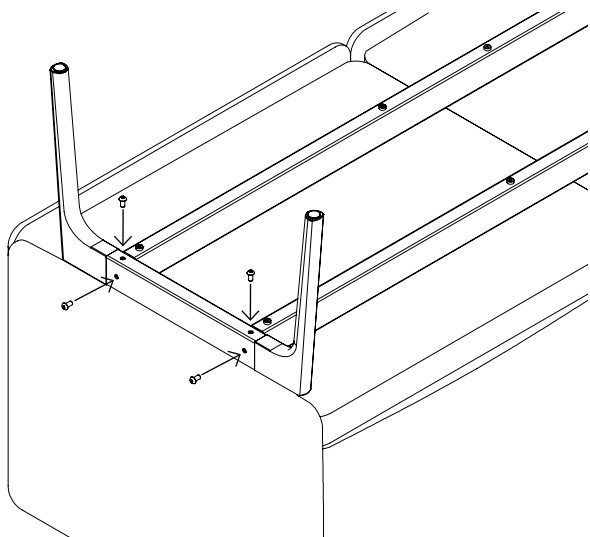


- ! Use a protective blanket to avoid damaging the upholstery

- 4 Slide the leg into the frame (4x)

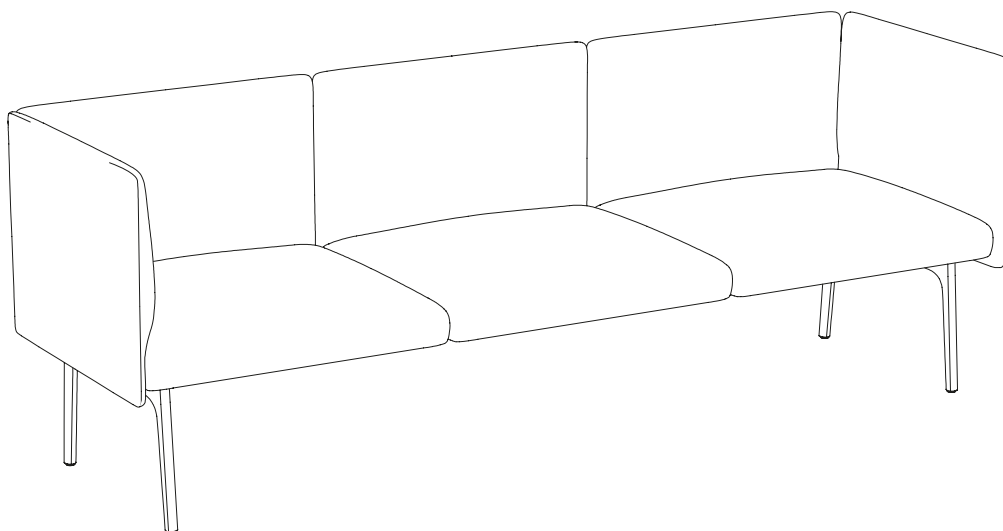


5 Use an Allen key to mount the (2x) screws M6 x 12 mm per leg.



! Make sure all screws are tightened correctly (5 Nm)

6 Place the assembled Mino Sofa upright on a flat surface. You are all set!



We create interior products by today's standards.

De Vorm is established in a new era, we develop products by the standards of today. This means we produce efficiently, use the full lifecycle of products and eventually give them a new life.

Our emphasis lies on making a product that works, by setting a variety of conditions; it should be legible, accessible, but also environmental friendly and aesthetically perfectly in balance.

We like a product because of its functionality.

A good product makes life easier — by helping us function better throughout the day. We firmly believe that the beauty of a design lies in the sum of its functions. That is what makes it a complete product.

We continuously raise the bar.

From the very first sketches we already start searching, combining and developing new techniques to find new possibilities to innovate. Our design process is infused with technical development; techniques result in aesthetic features and the other way round.